

Datasheet RGB-Led Signal Tower

Introduction:

1. Innovative design, three colors on a single layer.
2. Buzzer optional, volume louder than 95dB.
3. Double PC lens, soft light, better visual effect.
4. Easy to install, the installation part is hidden in the lamp body, it seems integrated with machine
5. Foldable, very convenient when moving and packing machine.

Application: CNC machine, Automatic equipment, SMT equipment etc.

Warranty: 2 years

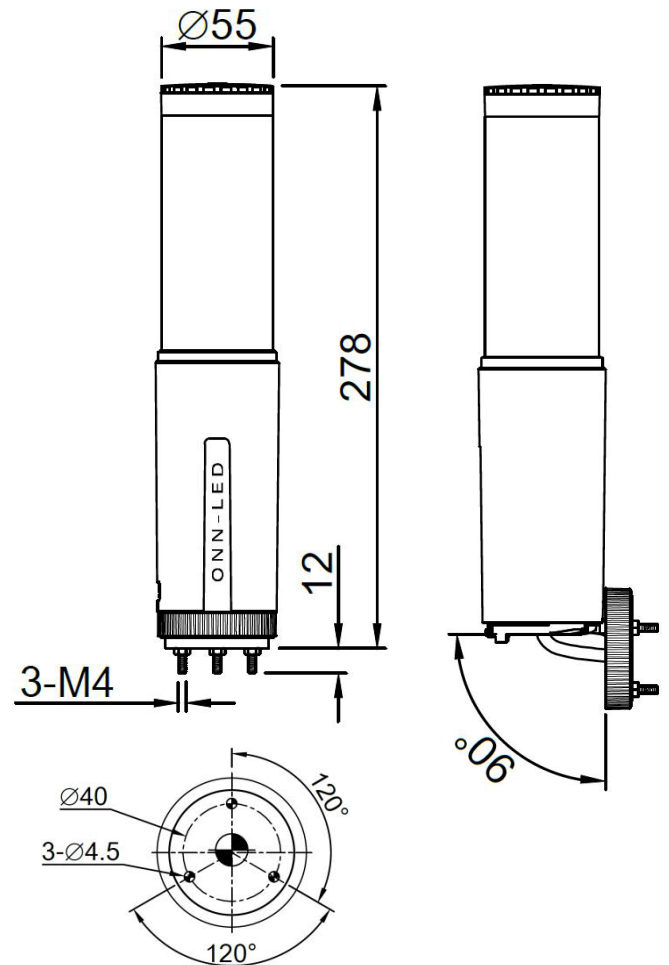
Certification: TUV CE, RoHS, FCC

Parameter:

Full Power	4W
Input voltage	DC12V, DC24V, AC100-240V(50/60Hz)
Input current	60-200mA
Working Temperature	-20~45℃
IP rating	IP53
Buzzer volume	>95dB
Material	PC lens and ABS body
Lifetime	50,000 hours
Installation	Fixed by screw

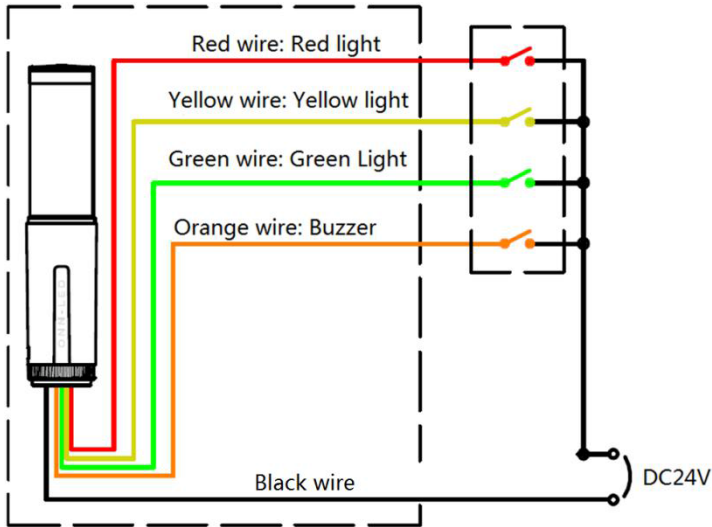


Dimension(mm):



Wiring instruction:

PNP & NPN



Contact type

